

# niagara enterprise security enclosures

## PRODUCT DEFINITION

Niagara Enterprise Security enclosures provide a secure environment for mounting JACE® controllers and ancillary control modules. The enclosures are equipped with key lock, tamper switch, DIN rail for easy mounting and removable cover. They are offered in three sizes to accommodate a variety of installation options. Knockouts are provided on the top, bottom and sides for external connections. Threaded pre-drilled holes for mounting and studs for terminating wire shields reduce installation time.

## HARDWARE SPECIFICATIONS

Large and medium enclosures are available with optional factory-mounted universal power supplies that plug directly into the T-SEC-RIO, T-SEC-R2R, T-IO-16-485, T-SEC-602 and T-SEC-616. Large and medium enclosures provide space for two sealed lead acid 7AH batteries.

### Large enclosure

The large enclosure is equipped with two DIN rails, battery cables and rail-to-rail jumper cable to connect modules or the Niagara Security JACE 602/616 from the top to bottom DIN rails. Space is provided in the cabinet for two 7AH SLA batteries. The top rail accommodates a JACE 8000 and up to three communication modules, or T-NPB-PWR-UN power supply and T-SEC-602/616 Niagara Security JACE, or three T-SEC-R2R modules, or one T-SEC-RIO module and one T-SEC-R2R modules. The lower rail accommodates four T-SEC-R2R modules, or two T-SEC-RIO modules, or one T-SEC-RIO module and two T-SEC-R2R modules, or four T-IO-16-485 modules. Other combinations are possible.

### Medium enclosure

The medium enclosure is equipped with one DIN rail and battery cables. Space is provided in the cabinet for two 7AH SLA batteries. The rail accommodates a JACE 8000 and up to three communication modules, or T-NPB-PWR-UN power supply and T-SEC-602/616 Niagara Security JACE, or three T-SEC-R2R modules, or one T-SEC-RIO module and one T-SEC-R2R module. Other combinations are possible.

### Small enclosure

The small enclosure has a DIN rail and accommodates one T-SEC-R2R module or one T-IO-16-485 module.

## POWER MODULE SPECIFICATIONS

Power modules are DIN rail-mountable, with screw terminals for power input wiring and six-position power connector that aligns with connectors on the Niagara Security JACE 602/616, T-SEC-R2R, T-SEC-RIO and T-IO-16-485.

## AGENCY CERTIFICATIONS

NEMA 1 Category

RoHS

UL 294 - Access Control System Units

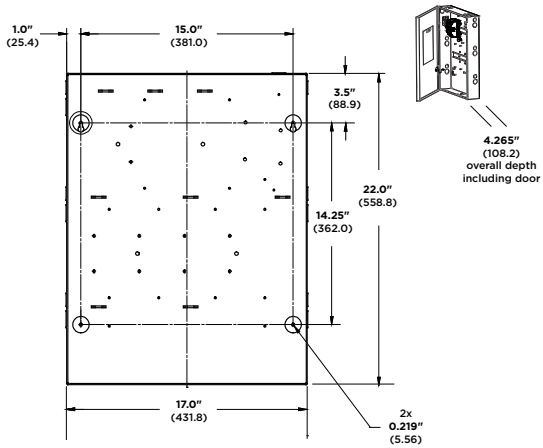


powered by

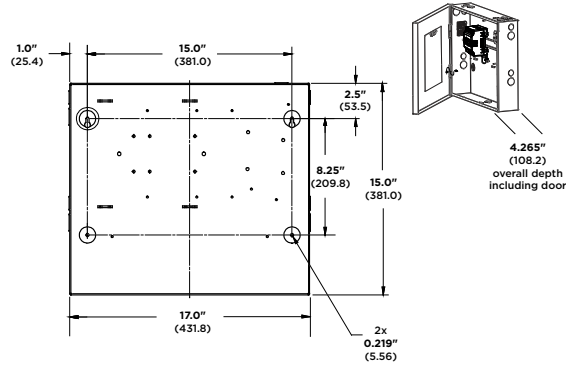
niagara  
framework®

## DIMENSIONS

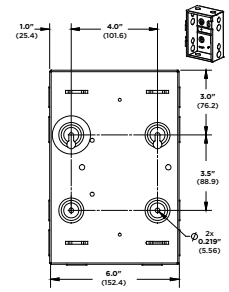
### Large enclosure



### Medium enclosure



### Small enclosure



## ORDERING INFORMATION

Part number	Description
T-SEC-ENC-SML	Small enclosure with DIN rail, tamper switch and key lock. Single reader module only. Dimensions: 6"W x 9"H x 4"D; Manufactured in the USA
T-SEC-ENC-MED	Medium enclosure with DIN rail, tamper switch, key lock and capacity for user-provided SLA batteries. Configurable options include Niagara Security JACE, 2 reader modules or remote IO module. Note: Universal power supply is included with enclosure Dimensions: 17"W x 15"H x 4"D; Manufactured in the USA
T-SEC-ENC-MNP	Medium supply enclosure without power supply
T-SEC-ENC-LRG	Enclosure with DIN rail, tamper switch, key lock and capacity for user-provided SLA batteries. Enclosure includes 2 DIN rails for additional module expansion. Configurable options include Niagara Security JACE, 4 reader modules or 2 remote IO modules. Note: Universal power supply is included with enclosure Dimensions: 17"W x 22"H x 4"D; Manufactured in the USA
T-SEC-ENC-LNP	Large enclosure without power supply
T-NPB-PWR	24 VAC/DC power supply module, 15 VDC 30W output DIN-rail mountable; Manufactured in the USA
T-NPB-PWR-UN	90 - 263 VAC 50/60 Hz auto-sensing power supply module, 15 VDC 30W output DIN-rail mountable

Enclosures for Niagara Enterprise Security are available through a wide variety of original equipment manufacturers. Our open distribution business model and open protocol support allow a vendor-neutral application compatible with devices and systems throughout the world.

To learn more about how to purchase and install Niagara Enterprise Security enclosures, or if you are an original equipment manufacturer and would like to add this to your suite of offerings, please contact us.



tridium.com

### Locations and customer support, worldwide

**Headquarters**  
North America  
1 804 747 4771

**Support**  
North America & Latin America  
1 877 305 1745

Europe, Middle East & Africa  
44 1403 740290

Asia Pacific  
8610 5669 7148

© 2017 Tridium Inc. All rights reserved. All other trademarks and registered trademarks are properties of their respective owners.

Information and/or specifications published here are current as of the date of publication of this document. Tridium, Inc. reserves the right to change or modify specifications without prior notice. The latest product specifications can be found by contacting our corporate headquarters, Richmond, Virginia. Products or features contained herein may be covered by one or more U.S. or foreign patents. This document may be copied only as expressly authorized by Tridium in writing. It may not otherwise, in whole or in part, be copied, photocopied, reproduced, translated, or reduced to any electronic medium or machine-readable form.