

CON-IP IOM module

Connector module for IP connection to a JACE[®] controller

Overview

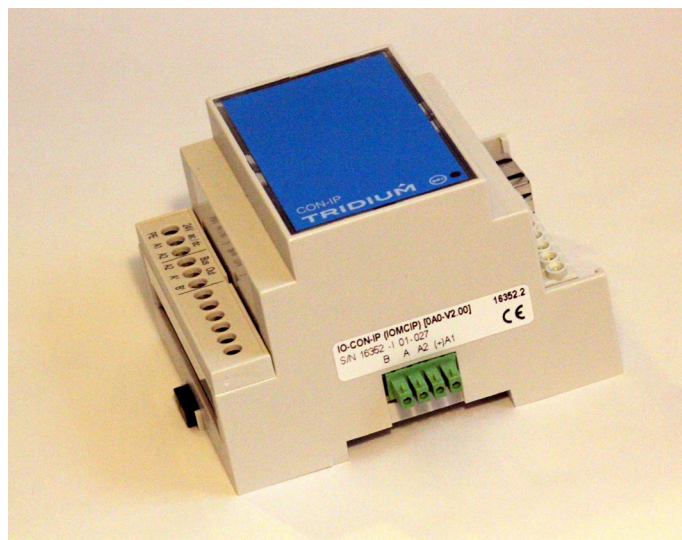
The IOM range of I/O modules are designed for use as local I/O within motor control cabinets or as remote I/O connected via RS485 Modbus. Typical applications include building automation control systems.

The CON-IP module provides a Modbus IP gateway for communicating with 2-wire RS485 IOM I/O module devices via an Ethernet/IP connection.

The IP20 rated modules may be plugged together with other IOM modules and fitted onto standard TS35 DIN rail or fitted directly onto a backplate using screw fixings.

The CON-IP module provides power and bus connection via standard screw terminals. It contains termination and bias resistors which can be switched into circuit by means of dip switches.

Configuration settings and changes are made using the integrated web server via a standard web browser.



Key features

- Modbus IP gateway
- Configuration setting via integrated web server
- DIN rail or direct mounting
- Convenient power and Modbus connections
- Supports full range of IOM input and output modules
- Integrated termination and bias resistors activated by dip switches



Specifications

Power supply:

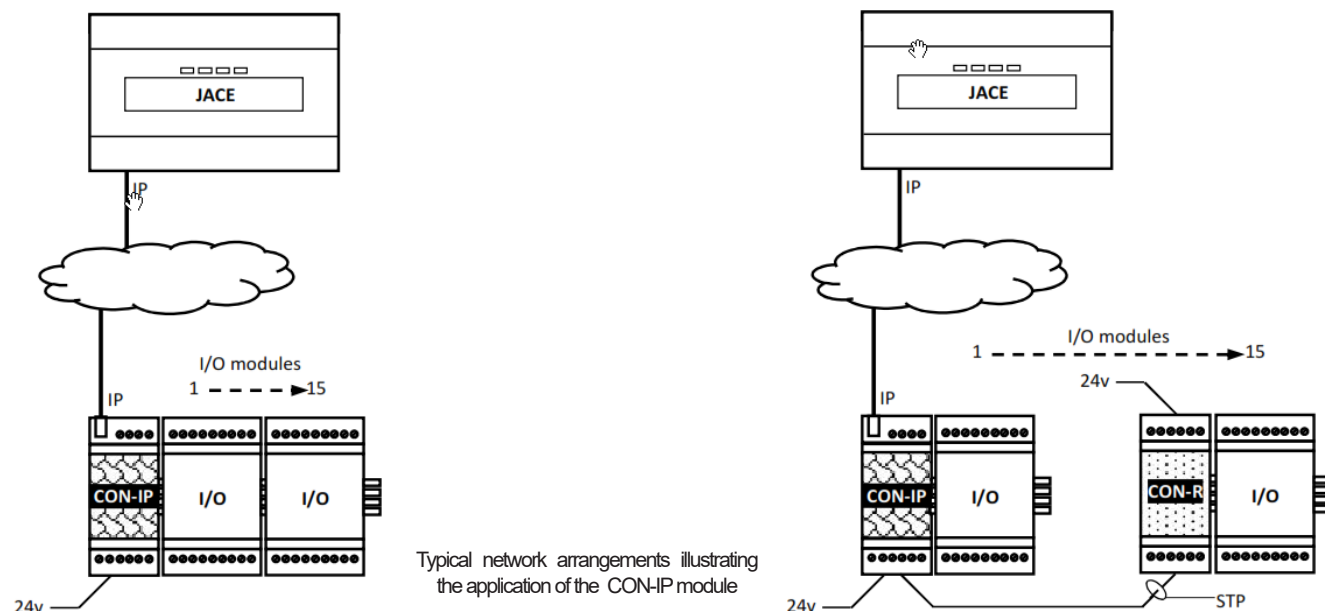
- module power supply / max output current via A1,A2 20v to 28v ac or dc / 5A dc
- module current consumption (CON-IP only) 120ma ac or 70ma dc
- external fuse (recommended) 6.3A T

Bus data:

- ethernet IEEE 802.3 10BASE-T and 802.3u 100BASE-TX compliant, auto MDI/MDIX
- protocol TCP/IP
- connector RJ45, shielded
- bus protocol / bus interface Modbus RTU / RS485, half duplex, non isolated
- bus speed 1k2, 2k4, 4k8, 9k6, 19k2 (default), 38k4, 57k6, 115k2 bps
- bus topology / max bus length multidrop / 500m
- bus connector / cabling integrated male & female pluggable connectors / Shielded Twisted Pair (STP)
- bus line termination / bias 220Ω switchable (default off) / 390Ω switchable pullup & pulldown (default off)

General data:

- operating / storage temperature range 0°C to +50°C / -20°C to +70°C
- CE marking EMC directive 2004/108/EC according requirements of EN 55011 & EN 61326-1
- conductor cross section / insulation strip length 0.2mm² to 2.5mm² screw clamp connection / 6mm
- mounting / installation position DIN-rail TS35 (35mm x 7.5mm) or direct mounting by M3 fixing / any
- module size (l x w x h-TS35/direct) 71mm x 95mm x 60mm / 58mm
- insulating material / flammability class / protection Housing: Noryl. Terminals: Polyamid 6.6 V0 / UL94-V0 / IP 20



- The quantity of I/O modules shown in each network arrangement is for illustration purposes only
- Up to 15 I/O modules may be attached to any one CON-IP or CON-R module
- Up to 32 I/O modules (not including CON-IP or CON-R) may be attached to any one RS485 network
- The maximum length of each network bus cable is 500m
- For installation, network, dip switches and wiring details, refer to the IOM Modules Installation guide
- For Modbus register details and use case examples, refer to the IOM Modules Communications guide

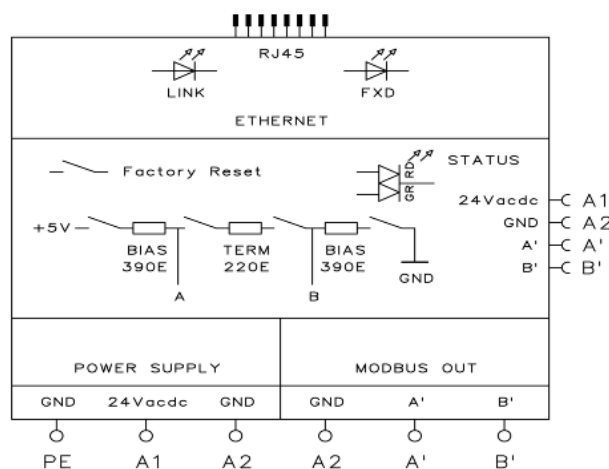
How to Order

Product Code

Description

IOMCIP

Power, IP and RS485 connection for IOM modules. Includes options for RS485 biasing & termination



Copyright © 2013 Tridium. All rights reserved. Tridium, Niagara, NiagaraFramework, JACE and Security are trademarks or registered trademarks of Tridium. Other marks are the properties of their respective owners. All specifications subject to change without notice or liability to provide changes to prior purchasers. Information and specifications published here are current as of the date of publication of this document. Tridium reserves the right to change or modify specifications without prior notice.

Tridium Europe Ltd

1 The Grainstore, Brooks Green Road, Coolham, West Sussex, RH13 8GR, UK
Telephone: +44 (0) 1403 740290 www.tridumeurope.com